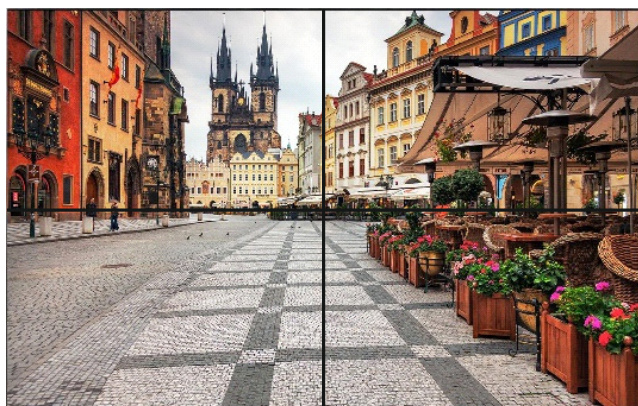


# 55 Inch Video Wall Monitor 3.5mm T27993-A



## FEATURES

- Color adjustment from LG factory
- Smallest bezel is only 1.1mm, Gap bezel between two screen is only 3.5mm
- Total EMC metal body, Full body heat dissipation
- 7x24 hrs working, 30,000hrs life
- 48hrs burn-in testing at factory
- Up / Down / Left / Right 178° wide view angle
- Contrast ratio 1500:1, 3times better DLP and projector video wall
- Private RS232 command protocol control
- Free Video wall control software, Support control Matrix together
- Fast initialize video wall, and smart monitor ID setting
- 8ms fast response time
- Save 50% power by LED ECO back light
- Full HD resolution and support lot kinds of resolution
- Up to 92% color sharpness, make static and dynamic image clear and stable
- Multiple display signal Input : HDMI, DVI, VGA, Video etc
- Support Freeze display image
- Support multiple view mode to comfort eyes



Full HD Video



Viewing Angle



500 nits Brightness



24 x 7 Working



30000 hrs Screen Life\*



Toughened Glass



2x20W Speakers

## Technical Specification

### LCD Panel

Diagonal Size	55"
Aspect Ratio	16:09
Pixel Pitch	0.63(H) x 0.63(W)
Response	8ms
Resolution	1920 x 1080
Contrast Ratio	1500:1
Brightness (cd/m2)	500 cd / m <sup>2</sup>
Display Area	1209.6 (H) x 680.4(V)
Color	16.7 Million color
View Angle	H/V: 178°

### Input Port

Video Input	VGA x 1, HDMI x 1, DVI x 1, Video (BNC) x 1
RS232 Input	RS232 x 1
Other Input	IR sensor x 1, USB Debug x 1

### Output Port

RS232 Output	RS232 x 2
--------------	-----------

### Tech Features

Language	English
Video Format	PAL, NTSC

Frequency	Horizontal Frequency : 20~82KHz (Analog & Digital), Vertical Frequency : 55~75Hz
Optimum Resolution	1920 x 1080 @ 60Hz
Support Resolution	1920 x 1080, 1680 x 1050, 1600 x 1200, 1440 x 1050, 1360 x 768, 1280 x 1024, 1280 x 768, 1024 x 768, 832 x 624, 800 x 600, 720 x 400, 600 x 480
Video Format	480i, 480p, 576i, 576p, 720p, 1080i, 1080p

### Function Features

Video Wall	Support 1x2~20x20 video wall.
Image Freeze	Support freeze the display at any signal display
Matrix Control	Video wall control software can control matrix too
Frame Ignore	Support ignore the monitor bezel when the video wall merge together
Smart Fan	Temp sensor can monitor the status and auto enable / disable
Time On / Off	Create time on / off schedule, the video wall will auto power on / off
None Noise	Full body head dissipation, None fan build in, None noise
Image Adjust	Support auto image, color adjustment
View Mode	Support multiple view mode, such as : normal, dynamic etc
Image Quality	3D noise reduction, 3D signal wave filtering
Energy Save	LED back light to save 50% power consumption than other display type
Standby	Auto enable standby mode after few seconds no signal
Sunlight Readable	Frosted LCD skin to make sunlight readable
View Angle	Full view angle, Up / Down / Left / Right visual
Long Life	7 x 24hrs working, 30,000hrs life time

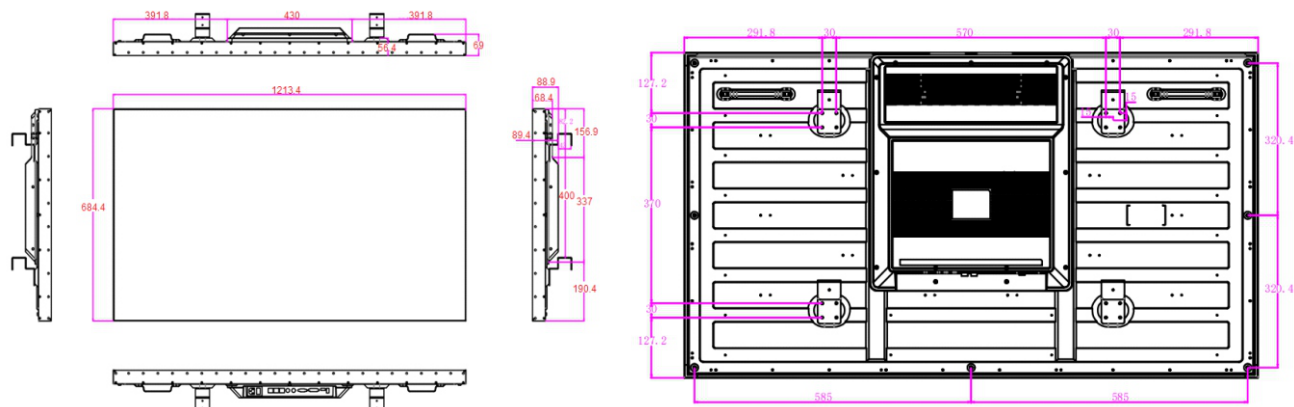
### Physical Features

Body Material	Total Metal Body
Color	Black
Temperature	Working : 0°C ~50°C ; Storage :- 20° ~ 60°C
Humidity	Working : 10% to 90% (Non Condensing); Storage : 0 to 95% (Non Condensing)
Noise	Working < 50dBA
Product Dimension	1213.4mm x 684.4mm x 88.9mm
Frame Bezel	Up : 2.4mm, Down : 1.1mm, Left : 2.4mm, Right : 1.1mm
Power	AC 100~240V~ / 2~5A / 60-50Hz
Consumption	Work ≤150W; Stand by ≤ 1W
Weight	NW : 15Kg ± 0.5Kg per pcs, GW : 32KG ± 0.5Kg

### Other

Accessories	Quick start guide, Warranty card, Remote controller, Power Cord, IR Sensor
-------------	---

### Dimension :



\* Note: we will not inform the modify or upgrade of products.